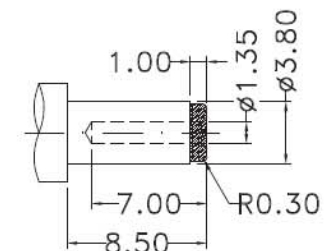
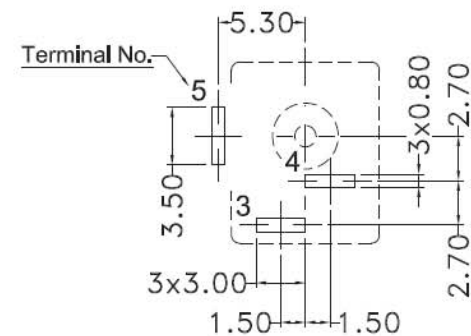
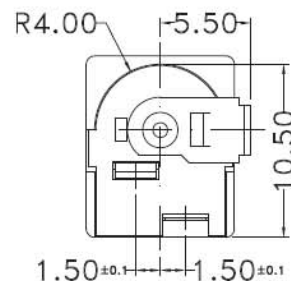
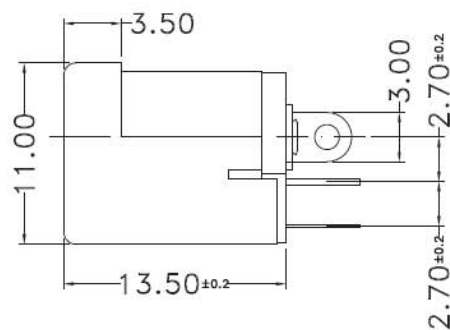
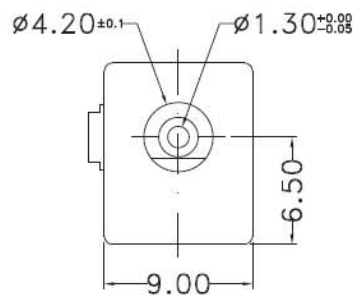


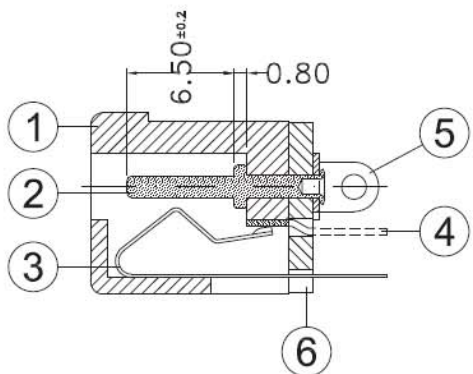
SCHEMATIC



MATE PLUG



PIERCING PLAN



6	COVER BOARD	P.L.SHEET	1	NATURAL
5	PIN TERMINAL	BRASS	1	Ag PLATED
4	SLEEVE BREAK	BRASS	1	Ag PLATED
3	SLEEVE SPRING	SPRING ALLOY	1	Ag PLATED
2	PIN SHAFT	COOPER	1	Ni PLATED
1	HOUSING	POLYCARBONATE(PC)	1	BLACK
NO	PARTS NAME	MATERIAL	Q'TY	FINISHING


 銓基電子股份有限公司
 ROKI ELECTRONICS CO., LTD.

PART NAME : DC JACK

PART NO : JD69-PF

TOLERANCE : ±0.20 mm

SCALE :

UNIT : mm

VER : R01

